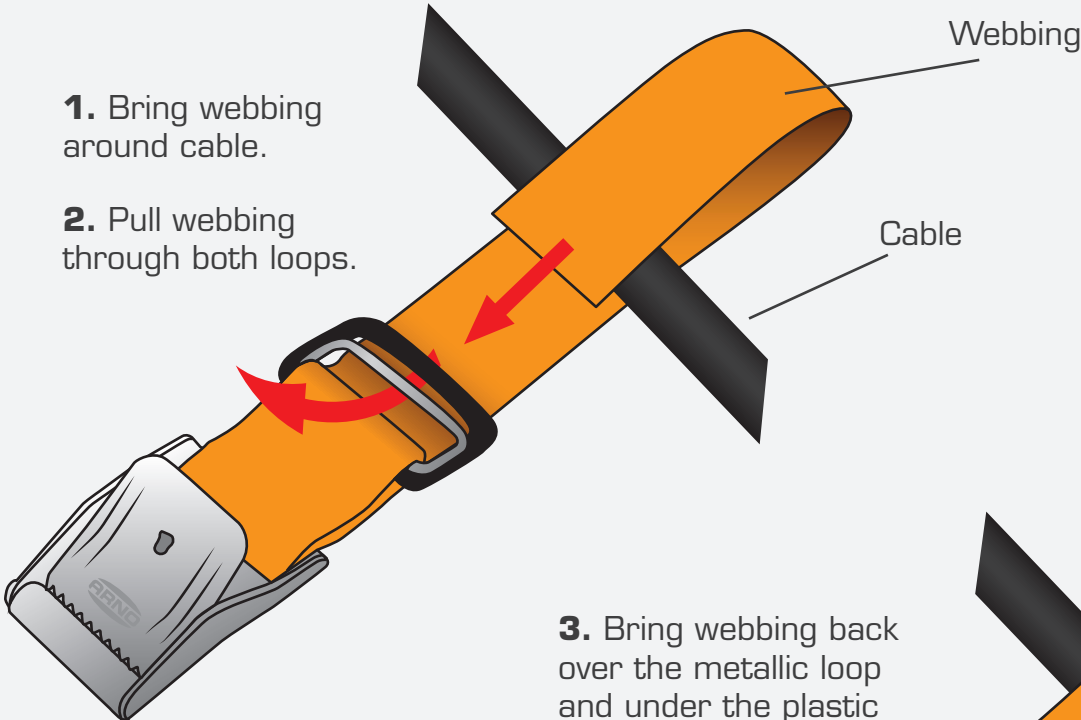


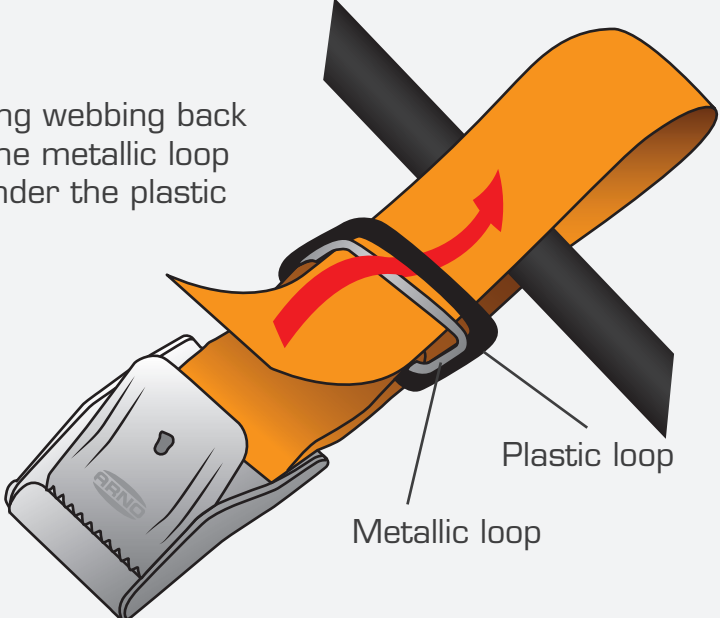
KNOW-HOW: ARNO CABLESTRAPS

1. Bring webbing around cable.

2. Pull webbing through both loops.



3. Bring webbing back over the metallic loop and under the plastic loop.



4. Pull webbing to tighten the hold.

Finished! Now the strap will keep in place for as long as you need it.

